

PARTS LIST

CAP FRAME

Table of Contents

- GENERAL VIEW
- BASE SASH (TME-DC)..... WH -1
- BASE SASH (TMFD-C, TMFXIII-C)..... WH -2
- BASE SASH (TMFX II-C)..... WH -3
- BASE SASH (TMEX-C)..... WH -4
- BASE FRAME 1..... WH -5 -1
- BASE FRAME 2..... WH -5 -2
- WIDE CAP FRAME (STANDARD)..... WH -6
- WIDE CAP FRAME (CHILD-USE)..... WH -7
- SEMI-WIDE CAP FRAME (STANDARD TYPE)..... WH -8
- SEMI-WIDE CAP FRAME (R-TYPE)..... WH -9
- SETTING FRAME 1..... WH -1 0 -1
- SETTING FRAME 2..... WH -1 0 -2

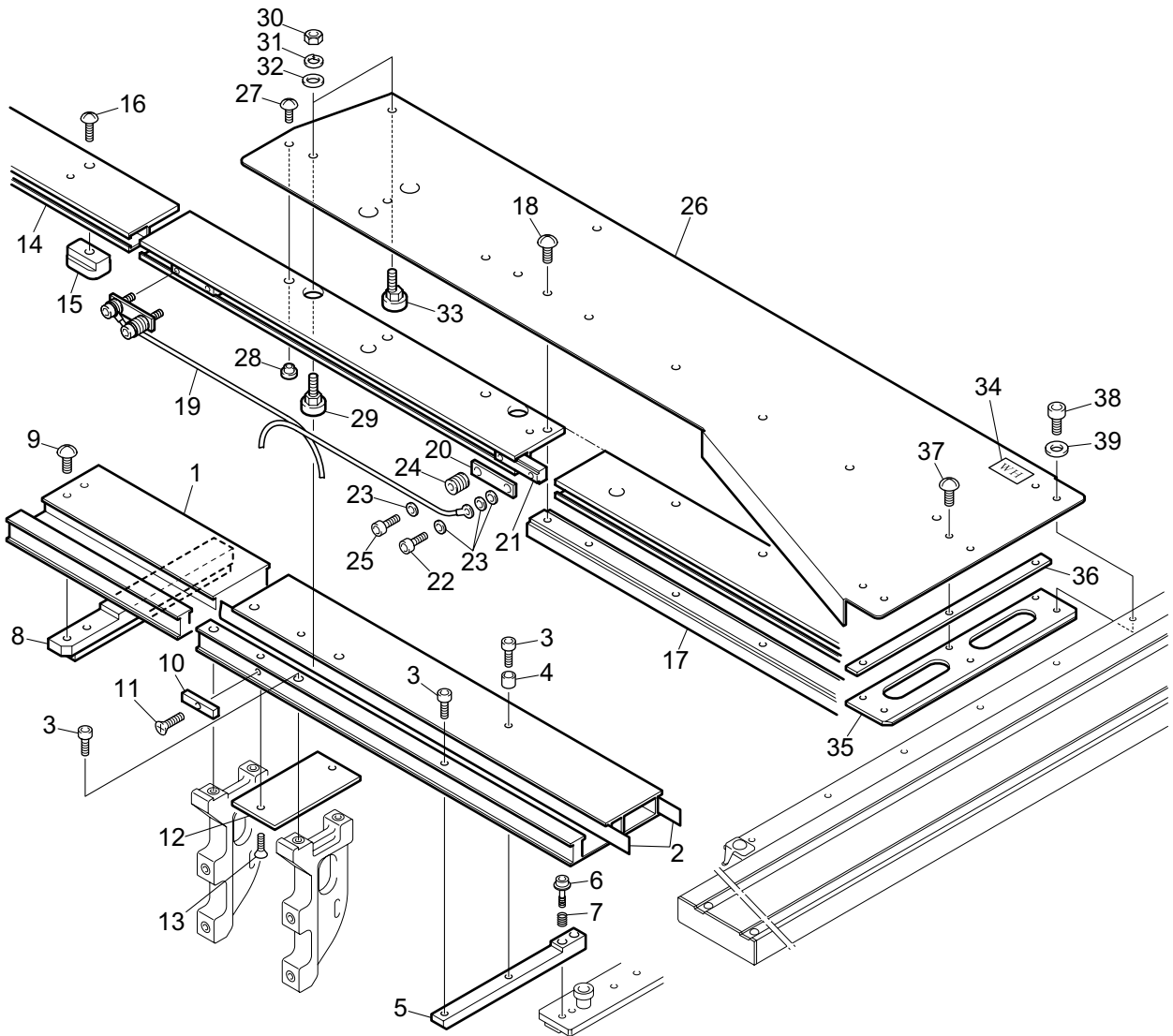
[Explanation of Marks #'s and *'s at End of Part No.]

◆ Please specify, in the following manner, your machine model, manufacturing number and embroidery space when you order us with the parts having **** at the end of the part No.:

Ex. :	TMFD-612	(450×275)S	No.01234
	[Model]	[Emb. Space]	[Mfg. No.]

◆ Please specify the number of needles on your machine's head in your parts order by changing the marks #### into one of the 4-digit numbers below:

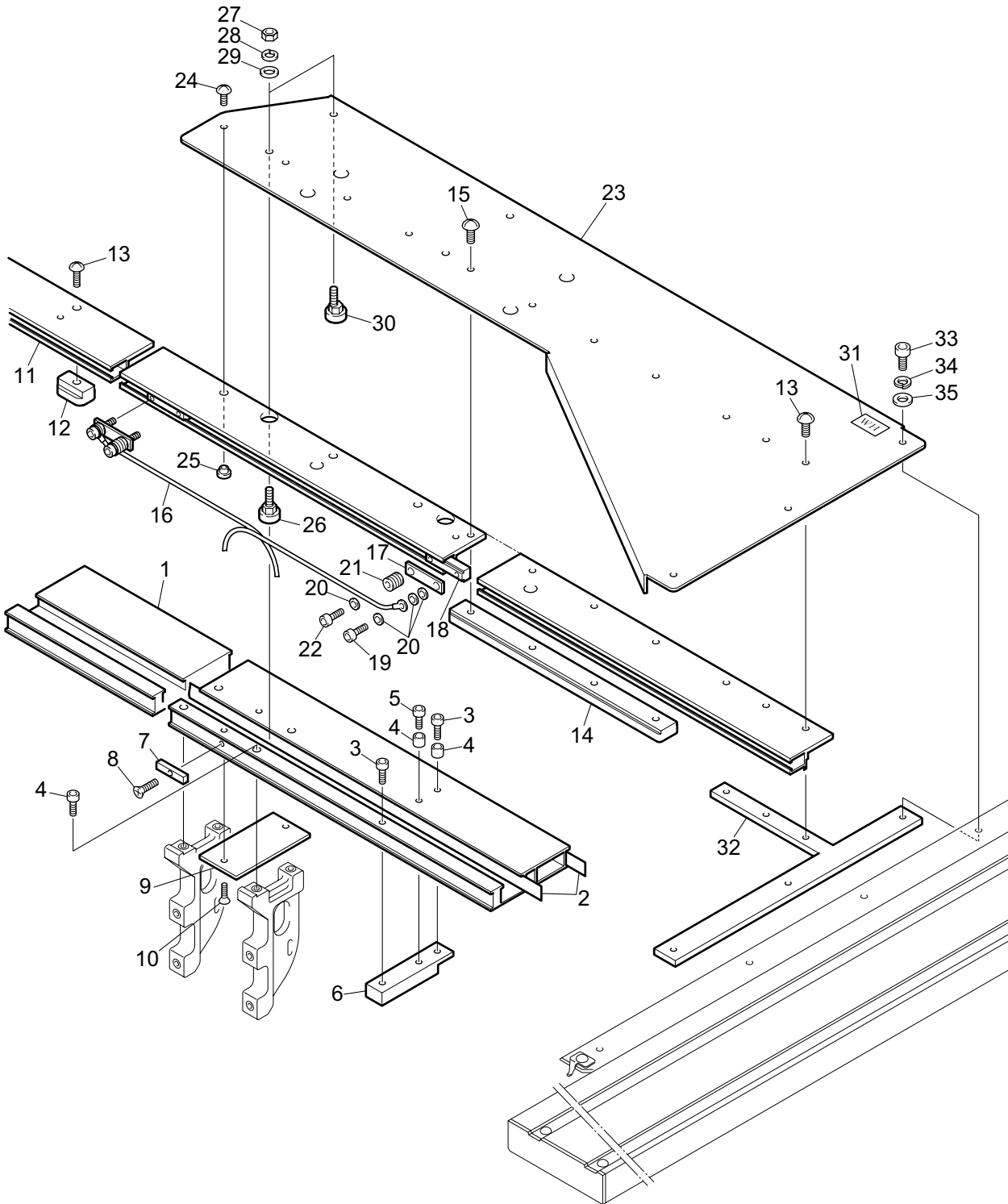
Ex. :	The part Number, EF012345####	
	4-digit Numbers	Machine Type
	0300... ..	3-needle machine
	0600... ..	6-needle machine
	0900... ..	9-needle machine
	1200... ..	12-needle machine



BASE SASH (TNE-DC)

WH-1

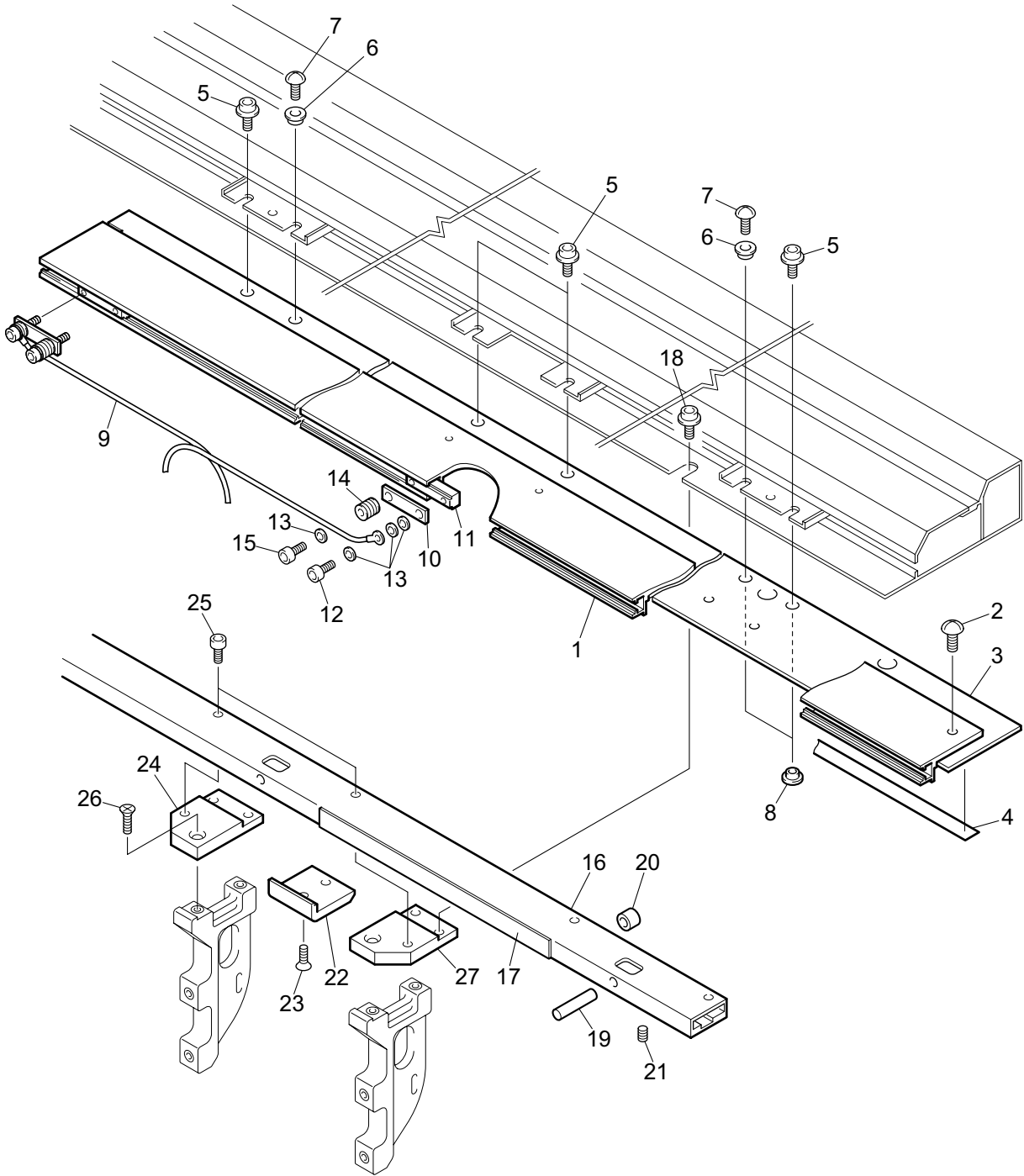
Ref.No.	Description	Part No.	Remark
1	Y-axis Base Sash	CD0J0100****	
2	Rail Plate	CD0J07000000	
3	Hexagon Socket Head Cap Screw	SS6205150TN0	M5*15
4	Screw Bushing	WH0121000000	
5	Y-axis Frame Sash Block	CD0J10000000	
6	Block Fixing Bolt	CD0J11000000	
7	Return Spring	CD0J12000000	
8	Y-axis Frame Sash Support	CD0J04000000	
9	Truss Head Screw	SS0104100SD0	M4*10
10	Guide Block	WH0117000000	
11	Countersunk Head Screw	SS1103100SD0	M3*10
12	Skid Plate	WH0114010000	
13	Countersunk Head Screw	SS1103080SD0	M3*8
14	Slide Angle	CD0J0200****	
15	Slide Block	WH0116000000	
16	Truss Head Screw	SS0105120SD0	M5*12
17	Right Side Slide Block	CD0J08000000	
18	Truss Head Screw	SS0105150SD0	M5*15
19	Drive Wire	WH0126000000	
20	Guide Plate	WH0125000000	
21	Slide Nut	WH0127000000	
22	Hexagon Socket Head Cap Screw	SS6204100TN0	M4*10
23	Plain Washer	WSP04A008SD0	M4
24	Wire Guide Ring	WH0124000000	
25	Hexagon Socket Head Cap Screw	SS6204120TN0	M4*12
26	Slide Base	CD0J03020000	
26	Slide Base	CD0J09010000	500P M/C
27	Truss Head Screw	SS0105060SD0	M5*6
28	Insert Bushing	WH0113000000	
29	Bearing Pin	WH0107000000	
30	Hexagon Nut	SSN206SC0000	M6 Type 3
31	Spring Washer	WSS060000KC0	M6
32	Plain Washer	WSP06D010SC0	M6
33	Eccentric Bearing Pin	WH0108000000	
34	WH Attaching Psitioning Indicator	CD0B27000000	
35	Joint Base	CD0J05000000	
36	Joint Spacer	CD0J06000000	
37	Truss Head Screw	SS0105080SD0	M5*8
38	Hexagon Socket Head Cap Screw	SS6205150TP0	M5*15
39	Plain Washer	WSP05C008SD0	M5
40			
41			
42			
43			
44			
45			
46			
47			
48			
49			



BASE SASH (TMFD-C, TMFX V-C)

WH-2

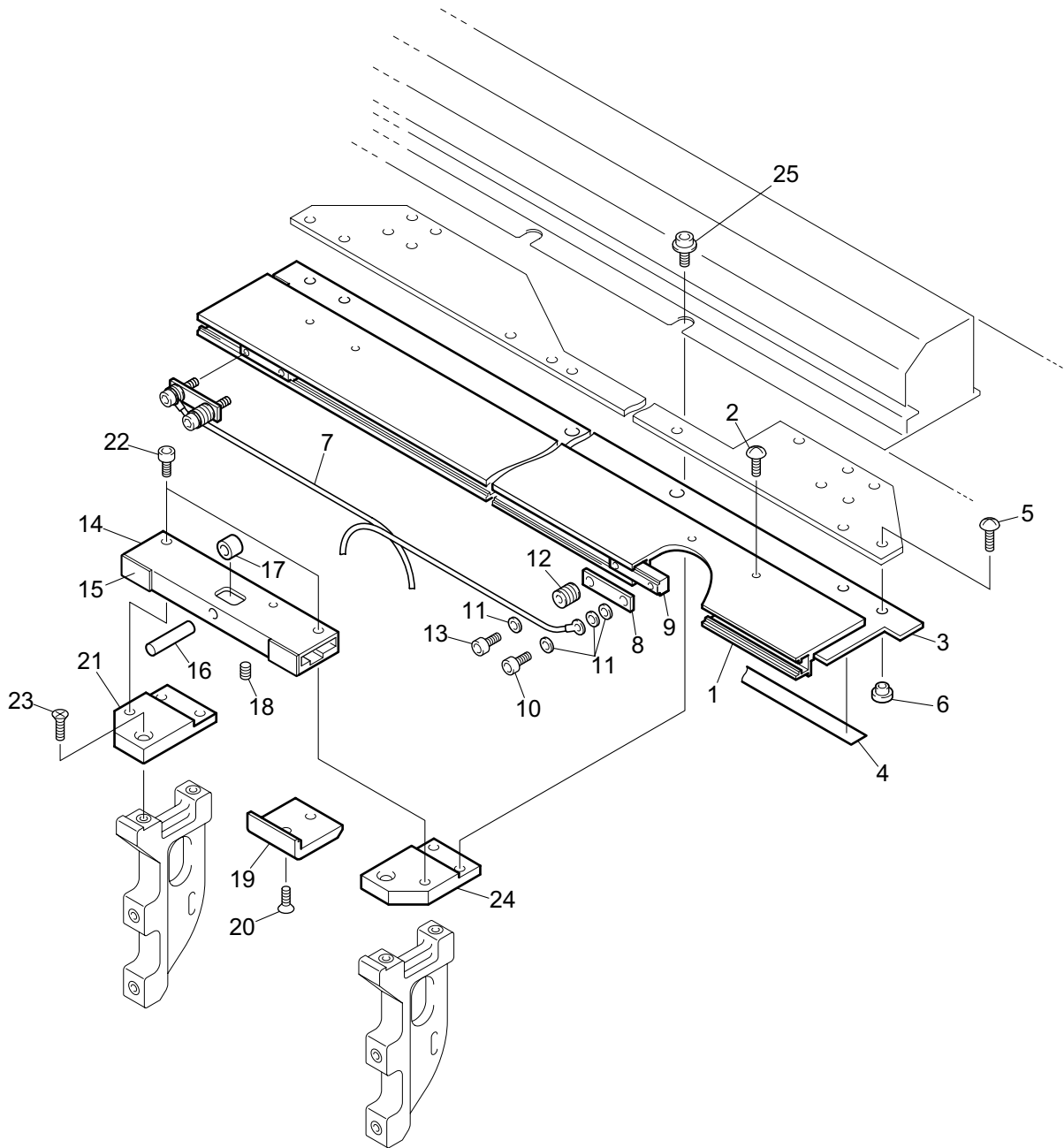
Ref.No.	Description	Part No.	Remark
1	Y-axis Base Sash	WH110100****	
2	Y-axis Frame Sash Plate	WH011200****	
3	Hexagon Socket Head Cap Screw	SS6205200TN0	M5*20
4	Screw Bushing	WH0121000000	
5	Hexagon Socket Head Cap Screw	SS6205150TN0	M5*15
6	Y-axis Frame Sash Block	WH0115000000	
7	Guide Block	WH0117000000	
8	Countersunk Head Screw	SS1103100SD0	M3*10
9	Skid Plate	WH0114010000	
10	Countersunk Head Screw	SS1103080SD0	M3*8
11	Slide Angle	WH110200****	
12	Slide Block	WH0116000000	
13	Truss Head Screw	SS0105120SD0	M5*12
14	Right Side Slide Block	WH1111000000	
15	Truss Head Screw	SS0105150SD0	M5*15
16	Drive Wire	WH0126000000	
16	Drive Wire	WH0129000000	460P M/C
17	Guide Plate	WH0125000000	
18	Slide Nut	WH0127000000	
19	Hexagon Socket Head Cap Screw	SS6204100TN0	M4*10
20	Plain Washer	WSP04A008SD0	M4
21	Wire Guide Ring	WH0124000000	
22	Hexagon Socket Head Cap Screw	SS6204120TN0	M4*12
23	Bearing Base	WH1103010000	
24	Truss Head Screw	SS0105060SD0	M5*6
25	Insert Bushing	WH0113000000	
26	Bearing Pin	WH0107000000	
27	Hexagon Nut	SSN206SC0000	M6 Type 3
28	Spring Washer	WSS060000KC0	M6
29	Plain Washer	WSP06D010SC0	M6
30	Eccentric Bearing Pin	WH0108000000	
31	WH Attaching Pstioning Indicator	CD0B27000000	
32	Corner	WH1112000000	
33	Hexagon Socket Head Cap Screw	SS6205150TP0	M5*15
34	Spring Washer	WSS050000KDD0	M5
35	Plain Washer	WSP05C008SD0	M5
36			
37			
38			
39			
40			
41			
42			
43			
44			
45			
46			
47			
48			
49			



BASE SASH (TMFX U-C)

WH-3

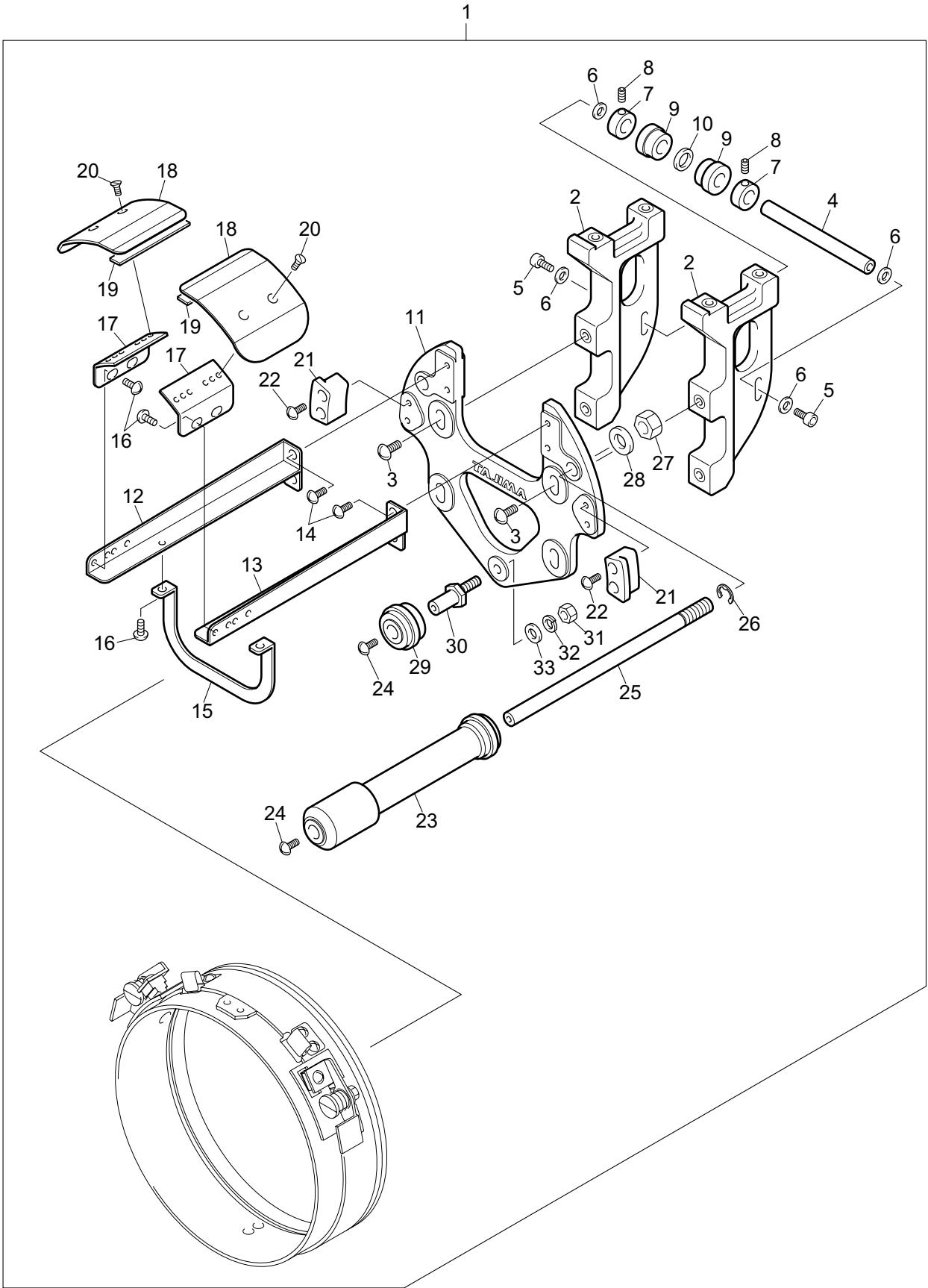
Ref.No.	Description	Part No.	Remark
1	Slide Angle	WH0516010000	1-H M/C
1	Slide Angle	WH0503010000	2-H M/C
1	Slide Angle	WH0519010000	4-H M/C
1	Slide Angle	WH0512010000	4-H M/C (360P)
1	Slide Angle	WH0526010000	4-H M/C (500P)
1	Slide Angle	WH0523010000	6-H M/C
2	Truss Head Screw	SS0105060SD0	M5*6
3	Cap Joint Plate	WH0517020000	1-H M/C
3	Cap Joint Plate	WH0504020000	2-H M/C
3	Cap Joint Plate	WH0520020000	4-H M/C
3	Cap Joint Plate	WH0513020000	4-H M/C (360P)
3	Cap Joint Plate	WH0527020000	4-H M/C (500P)
3	Cap Joint Plate	WH0524020000	6-H M/C
4	Rail Plate	WH052900****	
5	Hexagon Socket Head Flange Screw	WH0515000000	
6	Positioning Boss	WH0501000000	
7	Truss Head Screw	SS0105100SD0	M5*10
8	Insert Bushing	WH0505000000	
9	Drive Wire	WH0126000000	
10	Guide Plate	WH0125000000	
11	Slide Nut	WH0127000000	
12	Hexagon Socket Head Cap Screw	SS6204100TN0	M4*10
13	Plain Washer	WSP04A008SD0	M4
14	Wire Guide Ring	WH0124000000	
15	Hexagon Socket Head Cap Screw	SS6204120TN0	M4*12
16	Cap Frame Base	WH0518030000	1-H M/C
16	Cap Frame Base	WH0508030000	2-H M/C
16	Cap Frame Base	WH0521030000	4-H M/C
16	Cap Frame Base	WH0514030000	4-H M/C (360P)
16	Cap Frame Base	WH0528030000	4-H M/C (500P)
16	Cap Frame Base	WH0525030000	6-H M/C
17	Silicone Tape	BP5423010300	
18	Hexagon Socket Head Flange Screw	BPM5X10L0000	
19	Roller Pin	CX03B8010000	
20	Needle Bearing	BPHK0509T200	
21	Hexagon Socket Head Set Screw	SS8203040TN0	M3*4
22	Skid Plate	WH0522000000	
23	Countersunk Head Screw	SS1103080SD0	M3*8
24	Shim Plate L	EC0203L00000	
25	Hexagon Socket Head Cap Screw	SS6205100TN0	M5*10
26	Countersunk Head Screw	SS1105120SD0	M5*12
27	Shim Plate R	EC0203R00000	
28			
29			
30			
31			
32			
33			
34			
35			



BASE SASH (TMEX-C)

WH-4

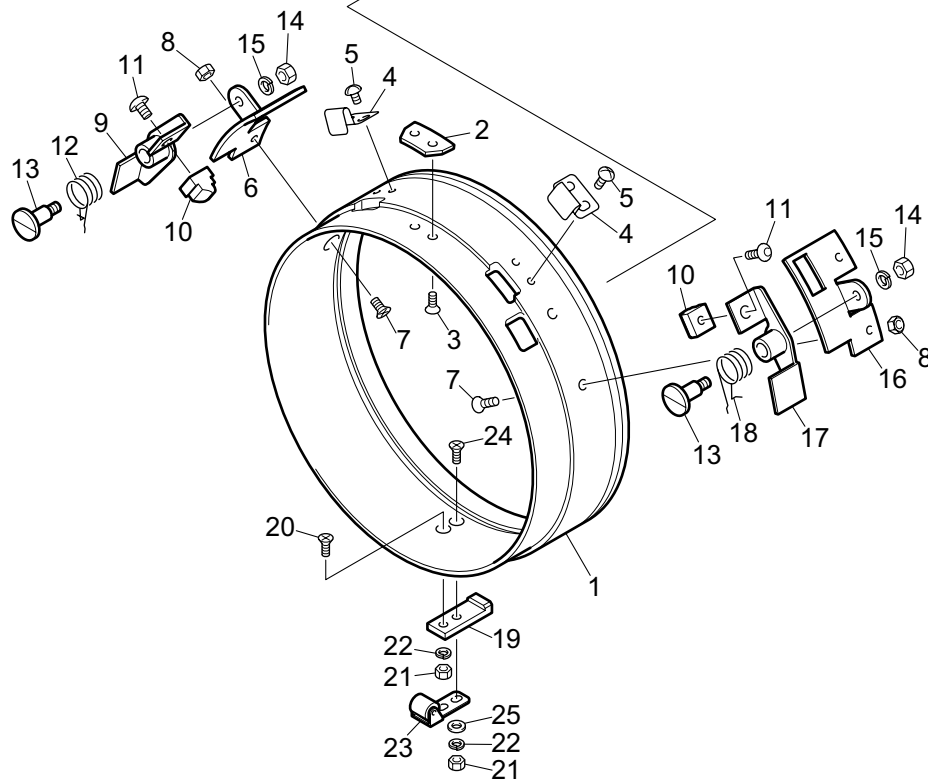
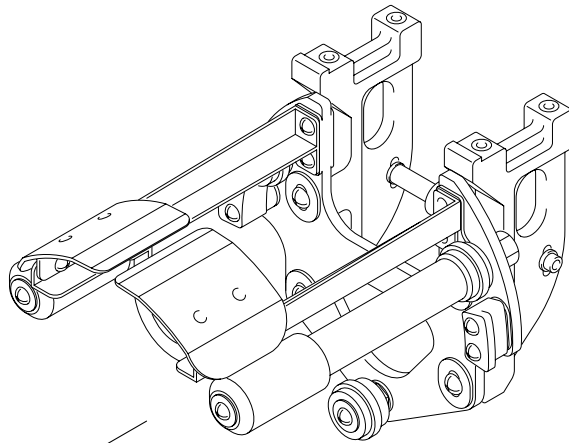
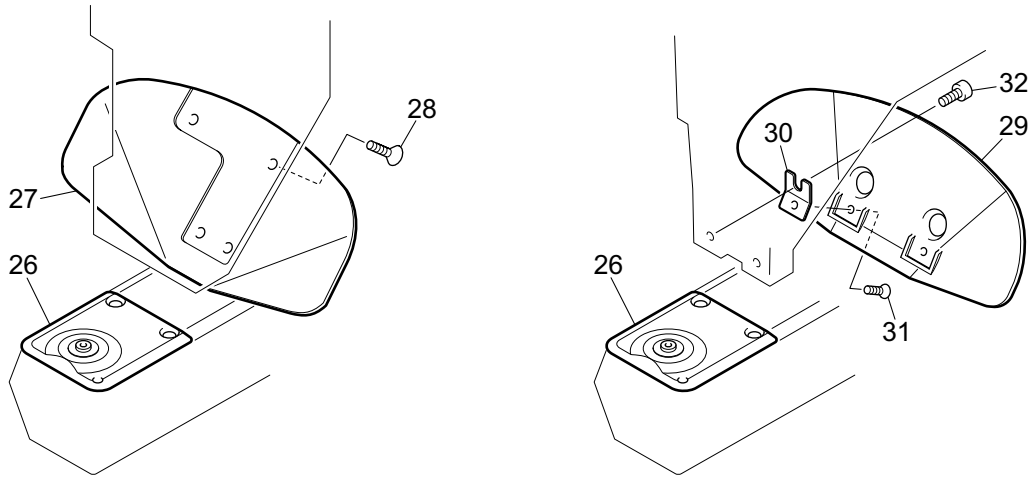
Ref.No.	Description	Part No.	Remark
1	Slide Angle	WH0516010000	
2	Truss Head Screw	SS0105060SD0	M5*6
3	Cap Joint Plate	EC0205020000	9,12-Needle
3	Cap Joint Plate	EC0N02010000	1-Needle
4	Rail Plate	WH052900****	
5	Truss Head Screw	SS0104080SD0	M4*8
6	Steel Nut	BPNQ41500000	
7	Drive Wire	WH0126000000	
8	Guide Plate	WH0125000000	
9	Slide Nut	WH0127000000	
10	Hexagon Socket Head Cap Screw	SS6204100TN0	M4*10
11	Plain Washer	WSP04A008SD0	M4
12	Wire Guide Ring	WH0124000000	
13	Hexagon Socket Head Cap Screw	SS6204120TN0	M4*12
14	Cap Frame Base	WH0518030000	
15	Silicone Tape	BP5423010300	
16	Roller Pin	CX03B8010000	
17	Needle Bearing	BPHK0509T200	
18	Hexagon Socket Head Set Screw	SS8203040TN0	M3*4
19	Skid Plate	WH0522000000	
20	Countersunk Head Screw	SS1103080SD0	M3*8
21	Shim Plate L	EC0203L00000	
22	Hexagon Socket Head Cap Screw	SS6205100TN0	M5*10
23	Countersunk Head Screw	SS1105120SD0	M5*12
24	Shim Plate R	EC0203R00000	
25	Hexagon Socket Head Flange Screw	BPM5X10L0000	
26			
27			
28			
29			
30			
31			
32			
33			
34			
35			
36			
37			
38			
39			
40			
41			
42			
43			
44			
45			
46			
47			
48			
49			



BASE FRAME 1

WH-5-1

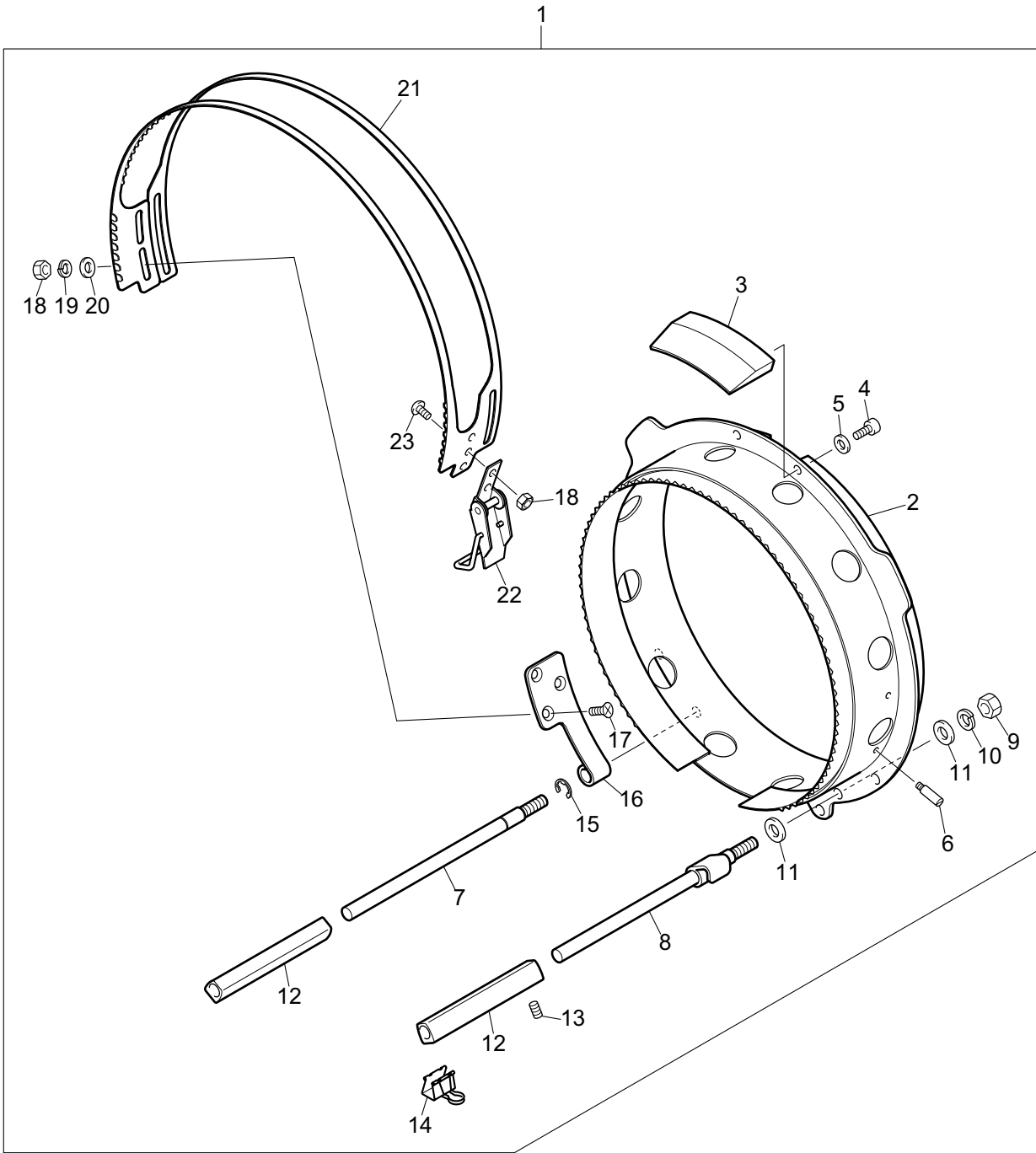
Ref.No.	Description	Part No.	Remark
1	Base Frame Complete Set	HFU012010000	For TMFD-C, TMFX v-C
1	Base Frame Complete Set	HFU013010000	For TNFX u-C
1	Base Frame Complete Set	HFU016010000	For TME-DC
1	Base Frame Complete Set	HFU017010000	For TMEX-C
2	Base Bracket	WH021500000	For TME-DC, TMFD-C, TMFX v-C
2	Base Bracket	WH050200000	For TMFX u-C, TMEX-C
3	Truss Head Screw	SS0105150SD0	M5*15
4	Base Holder Shaft	WH020400000	
5	Hexagon Socket Head Cap Screw	SS6204180TN0	M4*18
6	Plain Washer	WSP04C010SC0	M4
7	8mm Dia. Collar	WH023100000	
8	Hexagon Socket Head Set Screw	SS8204040TN0	M4*4
9	Base Holder Roller	EC0G19010000	
10	Liner Plate	EF0709200000	For TMFD-C, TMFX u-C, TMFX v-C
11	Drive Base	EC0G18010000	
12	Guide Base L	WH023400000	
13	Guide Base R	WH023500000	
14	Truss Head Screw	SS0104080SD0	M4*8
15	Reinforcing Plate	EC0G17000000	
16	Truss Head Screw	SMF8020540CL	9/64*40*4
17	Guide Bracket	WH020900000	
18	Needle Plate Guide	WH0208010000	
19	Felt	WH022600000	
20	Round Countersunk Head Screw	SMC5000535CL	9/64*40*3.5
21	Inner Groove Ring Guide	WH022200000	
22	Truss Head Screw	SS0104200SD0	M4*20
23	Guide Roller A	WH023600000	
24	Truss Head Screw	SS0104060SD0	M4*6
25	Guide Roller Shaft	WH023700000	
26	E-ring	BPE600000000	
27	Hexagon Nut	SSN008SC0000	M8
28	Plain Washer	WSP08F016SC0	M8
29	Guide Roller B	WH0217010000	
30	Eccentric Guide Pin	WH021900000	
31	Hexagon Nut	SSN005SC0000	M5
32	Spring Washer	WSS050000KC0	M5
33	Plain Washer	WSP05C008SC0	M5
34			
35			
36			
37			
38			
39			
40			
41			
42			
43			
44			
45			
46			



BASE FRAME 2

WH-5-2

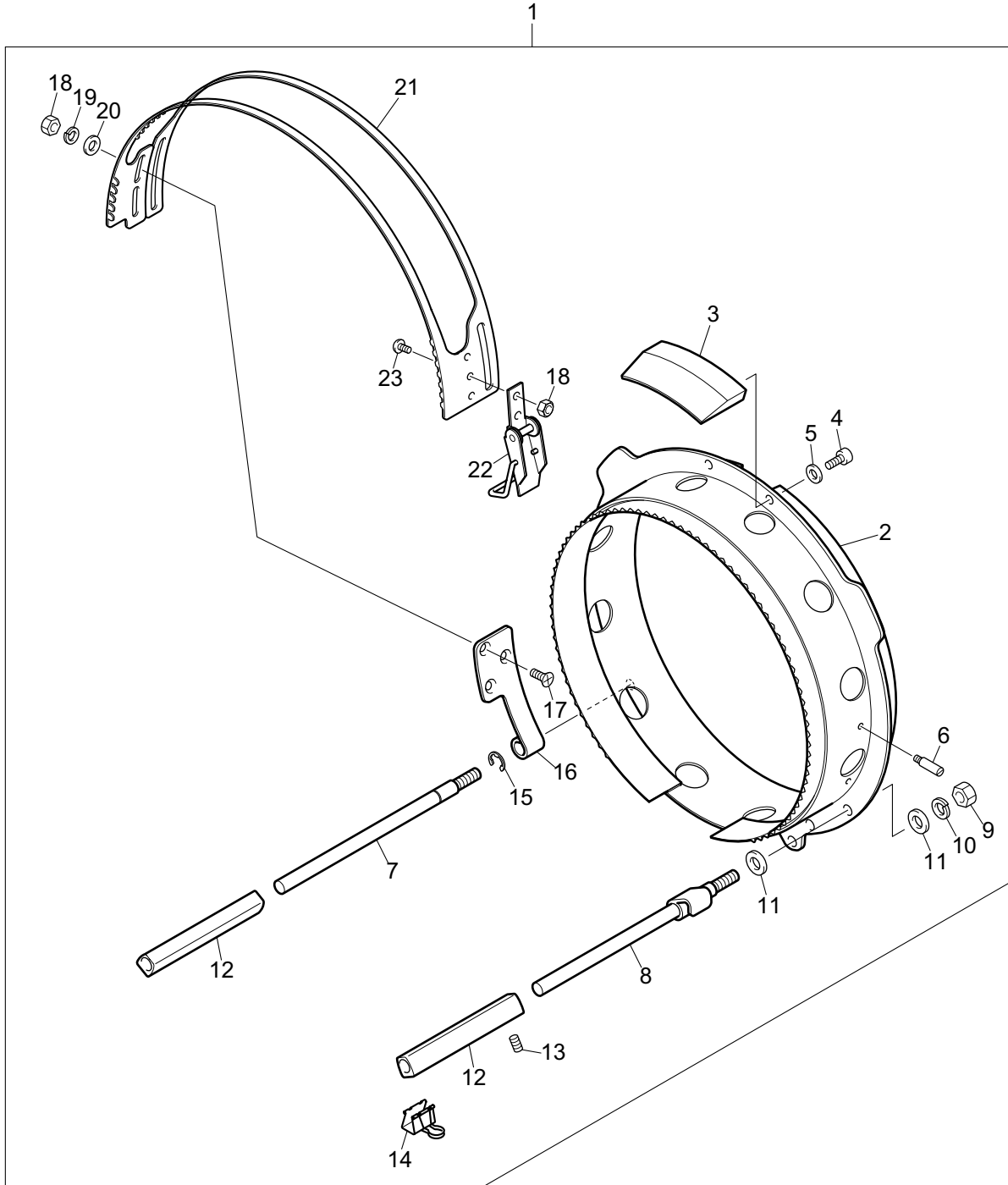
Ref.No.	Description	Part No.	Remark
1	Drive Ring	WH0213000000	
2	Center Block	WH0203000000	
3	Round Countersunk Head Screw	SMC5000535CL	9/64*40*3.5
4	Presser Bar Spring	WH0212000000	
5	Truss Head Screw	SS0103040SD0	M3*4
6	Lever Bracket L	WH0205000000	
7	Countersunk Head Screw	SS1104080MZ0	M4*8
8	Hexagon Nut	SSN204SD0000	M4 Type 3
9	Releasing Lever L	WH0201000000	
10	Lock Pin	WH0207000000	
11	Hexagon Socket Head Button Screw	SS3204060SC0	M4*6
12	Lever Spring L	WH0224000000	
13	Lever Pin	WH0229000000	
14	Hexagon Nut	SSN004SD0000	M4
15	Spring Washer	WSS040000KC0	M4
16	Lever Bracket R	WH0206000000	
17	Releasing Lever R	WH0202000000	
18	Lever Spring R	WH0225000000	
19	Wire Fixing Fittings	WH0123000000	
20	Countersunk Head Screw	SS1103120MZ0	M3*12
21	Hexagon Nut	SSN003SD0000	M3
22	Spring Washer	WSS030000KD0	M3
23	Base Frame Presser Roller	WH0232000000	
24	Countersunk Head Screw	SS1103150MZ0	M3*15
25	Plain Washer	WSP038005SD0	M3
26	Needle Plate	EC0C19010000	
27	Cap Frame Guide	WH0221020000	For TMFD-C, TMFX u-C, TMFX v-C
28	Countersunk Head Screw	SS1103080SD0	M3*8
29	Cap Frame Guide	EC0G02010000	For TME-DC, TMEX-C
30	Guide Fixture	EC0G30000000	
31	Countersunk Head Screw	SS1103040SD0	M3*4
32	Hexagon Socket Head Cap Screw	SS6203100TN0	M3*10
33			
34			
35			
36			
37			
38			
39			
40			
41			
42			
43			
44			
45			
46			
47			
48			
49			
50			



WIDE CAP FRAME (STANDARD)

WH-6

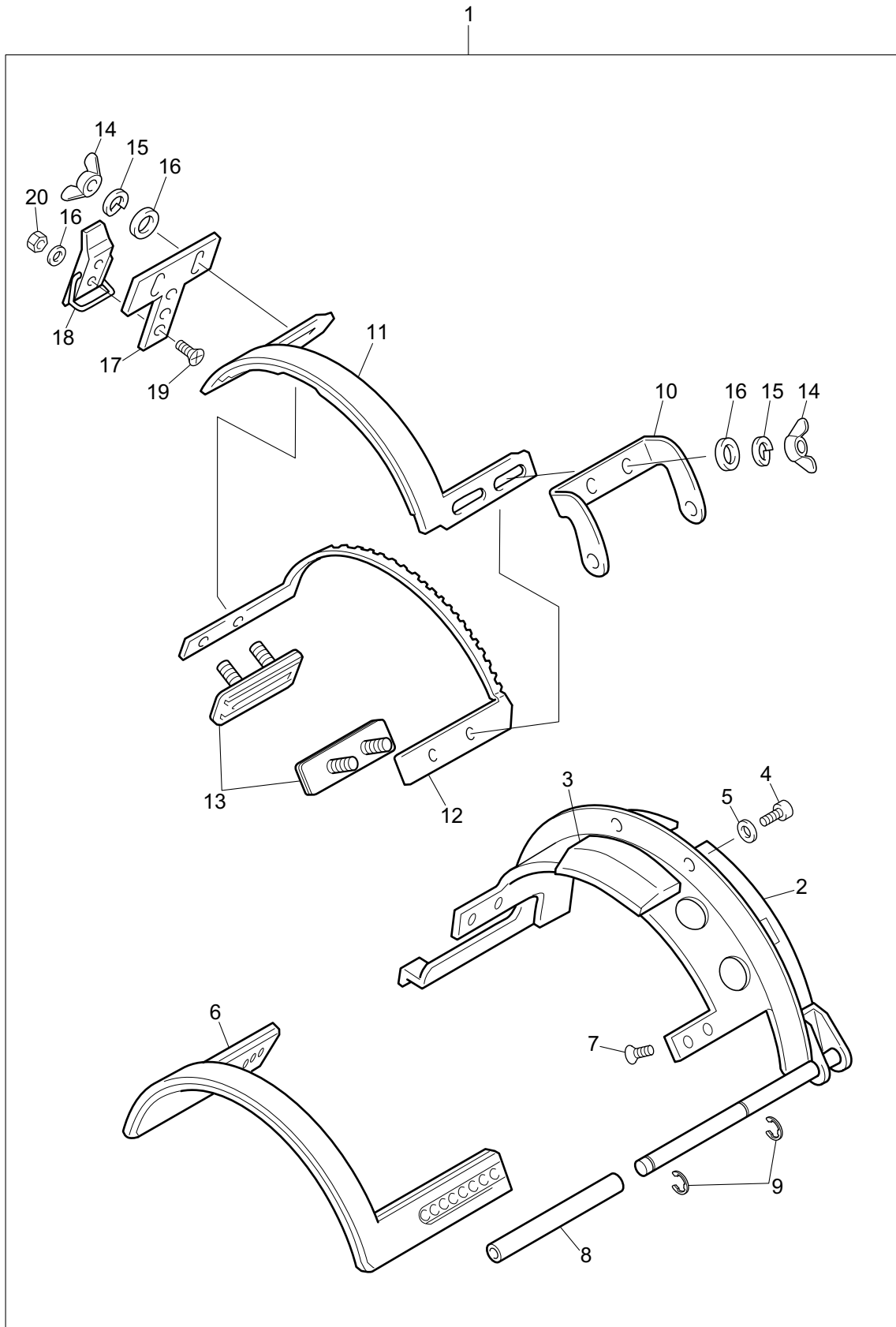
Ref.No.	Description	Part No.	Remark
1	Wide Cap Frame Complte Set	HFU010020150	
2	Base Frame	WH0301010000	
3	Visor Bracket	WH0303000000	
4	Hexagon Socket Head Cap Screw	SS6203080TN0	M3*8
5	Plain Washer	WSP038005SC0	M3
6	Fixing Pin	WH0304000000	
7	Base Frame Shaft L	WH0320L00000	
8	Base Frame Shaft R	WH0320R00000	
9	Hexagon Nut	SSN004SD0000	M4
10	Spring Washer	WSS040000KDO	M4
11	Plain Washer	WSP04A008SD0	M4
12	Clip Stopper	WH0321000000	
13	Hexagon Socket Head Set Screw	SS8204040TN0	M4*4
14	Double Clip	WH0306000000	
15	E-ring	BPE500000000	
16	Lid Frame Fittings A	WH0309010000	
17	Countersunk Head Screw	SS1103060SD0	M3*6
18	Hexagon Nut	SSN003SD0000	M3
19	Spring Washer	WSS030000KDO	M3
20	Plain Washer	WSP038005SD0	M3
21	Lid Frame A	WH0308020000	
22	Pinch Lock	BPC112900000	
23	Truss Head Screw	SS0103050MZ0	M3*5
24			
25			
26			
27			
28			
29			
30			
31			
32			
33			
34			
35			
36			
37			
38			
39			
40			
41			
42			
43			
44			
45			
46			
47			
48			
49			
50			



WIDE CAP FRAME (CHILD-USE)

WH-7

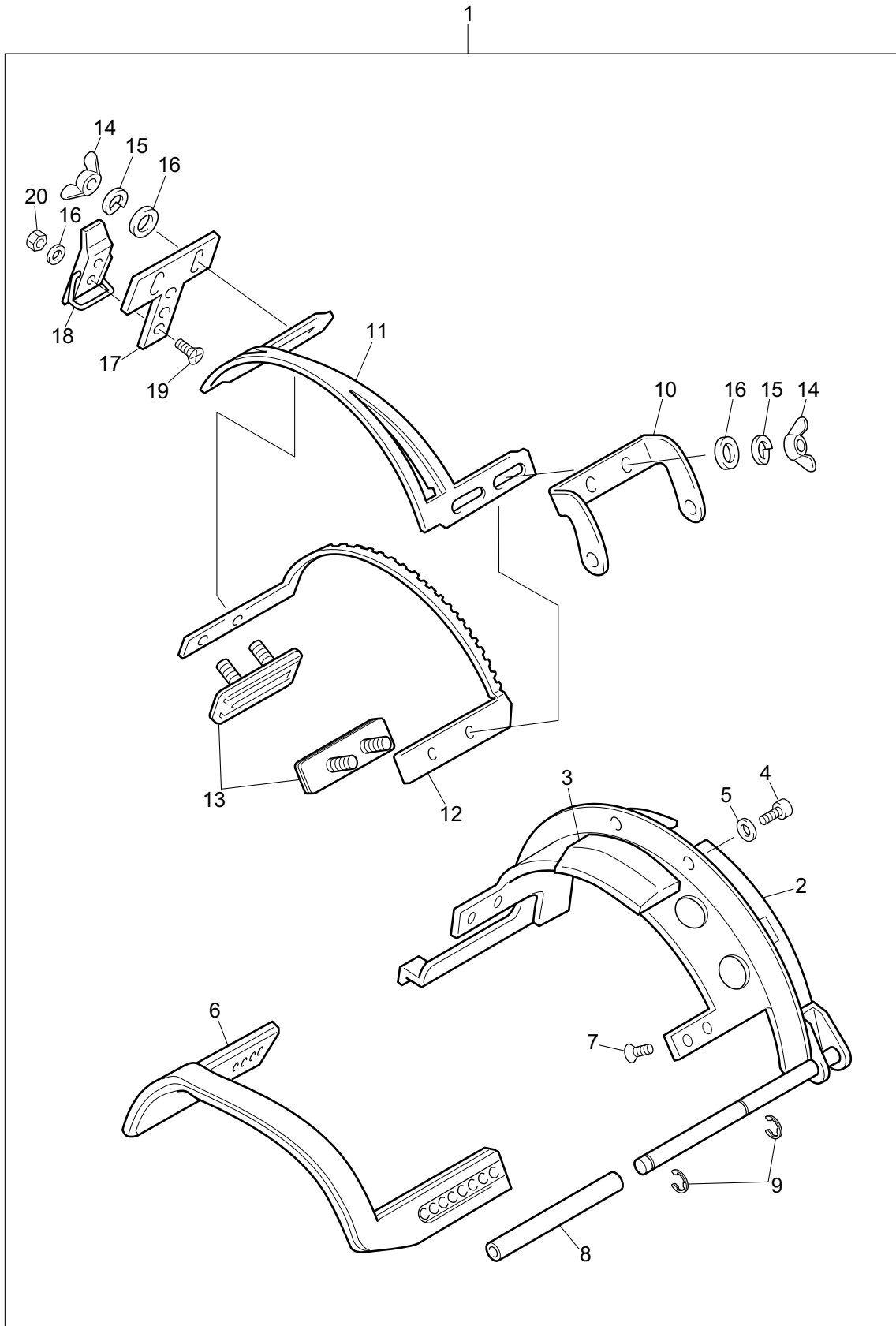
Ref.No.	Description	Part No.	Remark
1	Wide Cap Frame Complte Set	HFU010B10150	
2	Base Frame	WH0301010000	
3	Visor Bracket	WH0303000000	
4	Hexagon Socket Head Cap Screw	SS6203080TN0	M3*8
5	Plain Washer	WSP038005SC0	M3
6	Fixing Pin	WH0304000000	
7	Base Frame Shaft L	WH0320L00000	
8	Base Frame Shaft R	WH0320R00000	
9	Hexagon Nut	SSN004SD0000	M4
10	Spring Washer	WSS040000KDO	M4
11	Plain Washer	WSP04A008SD0	M4
12	Clip Stopper	WH0321000000	
13	Hexagon Socket Head Set Screw	SS8204040TN0	M4*4
14	Double Clip	WH0306000000	
15	E-ring	BPE500000000	
16	Lid Frame Fittings A	WH0309010000	
17	Countersunk Head Screw	SS1103060SD0	M3*6
18	Hexagon Nut	SSN003SD0000	M3
19	Spring Washer	WSS030000KDO	M3
20	Plain Washer	WSP038005SD0	M3
21	Lid Frame C	WH0322000000	
22	Pinch Lock	BPC112900000	
23	Truss Head Screw	SS0103050MZ0	M3*5
24			
25			
26			
27			
28			
29			
30			
31			
32			
33			
34			
35			
36			
37			
38			
39			
40			
41			
42			
43			
44			
45			
46			
47			
48			
49			
50			



SEMI-WIDE CAP FRAME (STANDARD TYPE)

WH-8

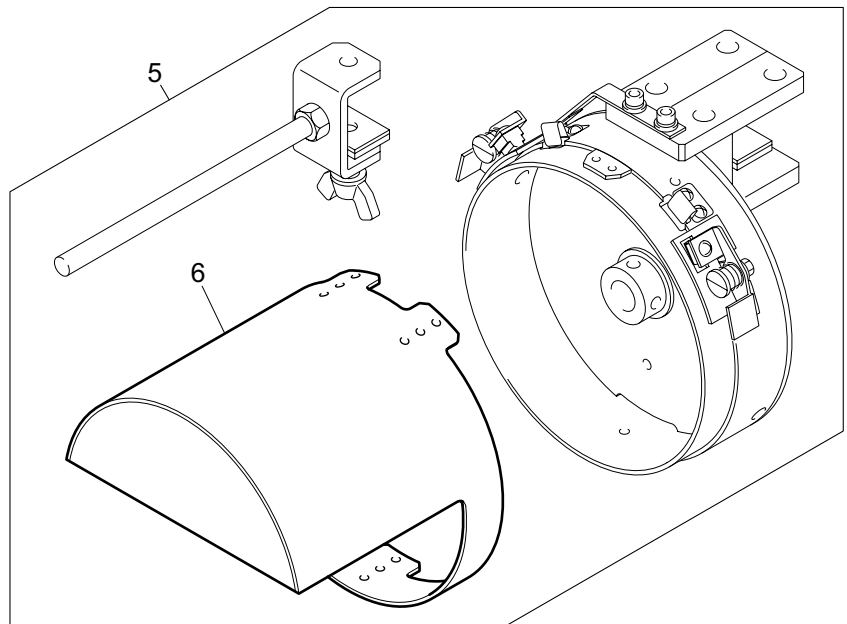
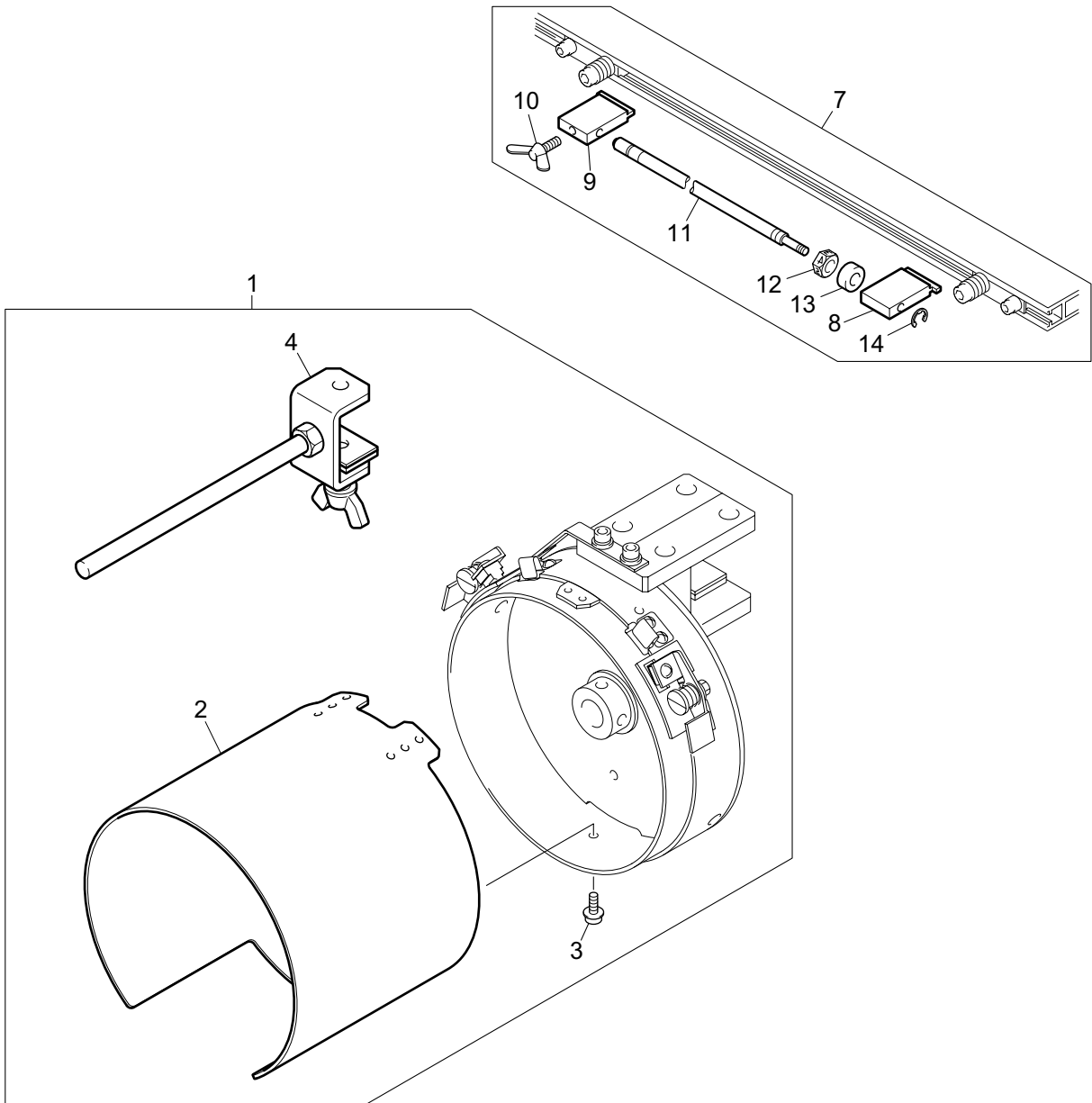
Ref.No.	Description	Part No.	Remark
1	Semi-wide Cap Frame Complete Set	HFU011000150	
2	Base Frame A Set	WH0311000000	
3	Visor Bracket	WH0303000000	
4	Hexagon Socket Head Cap Screw	SS6203080TN0	M3*8
5	Plain Washer	WSP038005SC0	M3
6	Base Frame B	WH0312000000	
7	Round Countersunk Head Screw	SMC5000535CL	9/64*40*3.5
8	Reinforcing Pipe	HF0304000000	
9	E-ring	BPE500000000	
10	Lid Frame Fittings	WH0313000000	
11	Lid Frame A	WH0315010000	
12	Lid Frame B	WH0316000000	
13	Bolt Base Set	WH0314010000	
14	Wing Nut	SSN403SD0000	M3
15	Spring Washer	WSS030000KD0	M3
16	Plain Washer	WSP038005SD0	M3
17	Clamp Base	HF0307000000	
18	Pinch Lock	BPC112900000	
19	Countersunk Head Screw	SS1103060MZ0	M3*6
20	Hexagon Nut	SSN003SD0000	M3
21			
22			
23			
24			
25			
26			
27			
28			
29			
30			
31			
32			
33			
34			
35			
36			
37			
38			
39			
40			
41			
42			
43			
44			
45			
46			
47			
48			
49			
50			



SEMI-WIDE CAP FRAME (R-TYPE)

WH-9

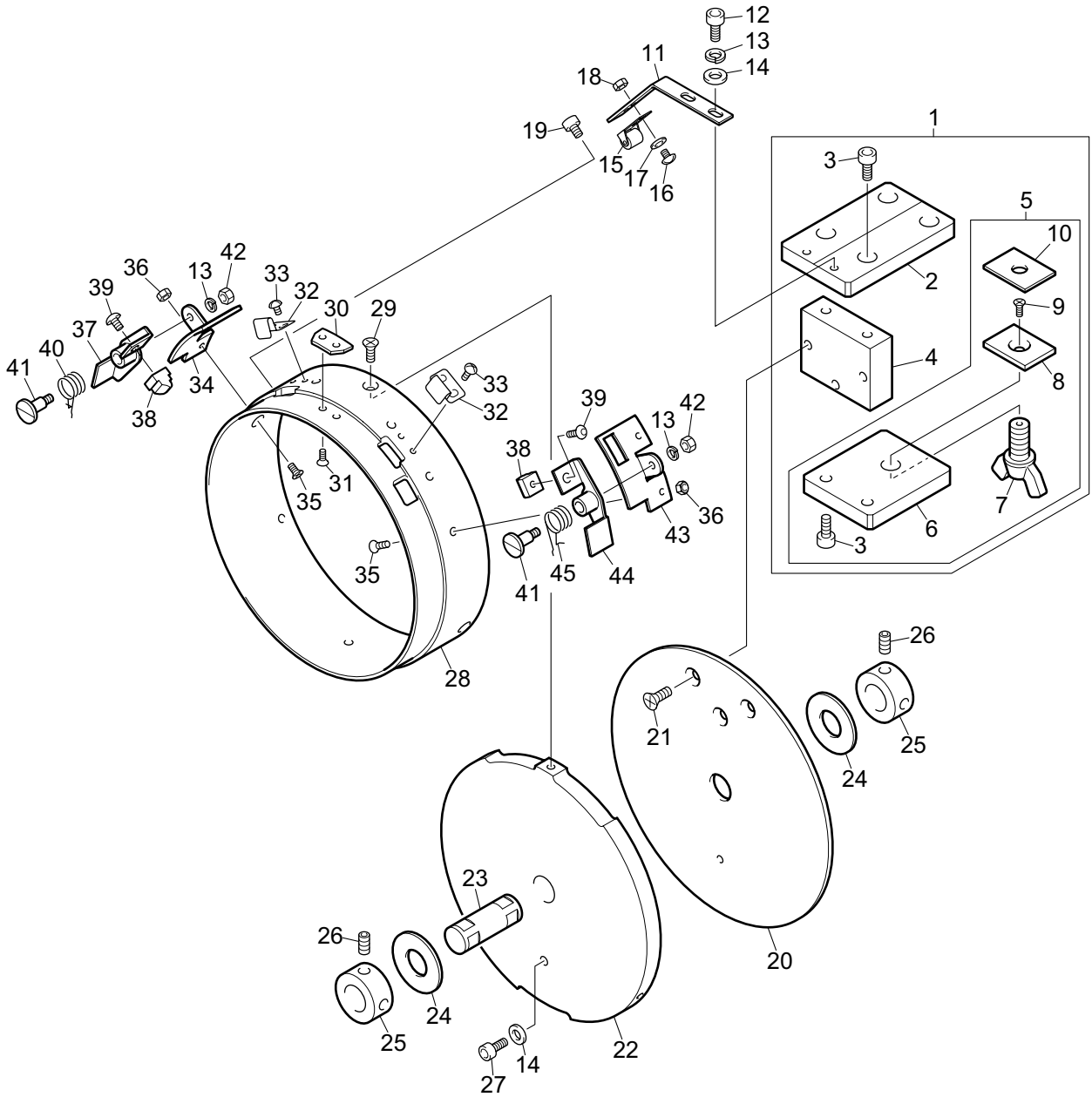
Ref.No.	Description	Part No.	Remark
1	Semi-wide Cap Frame(R-Type) Complete Set	HFU011R00000	
2	Base Frame A Set	WH031100000	
3	Visor Bracket	WH030300000	
4	Hexagon Socket Head Cap Screw	SS6203080TN0	M3*8
5	Plain Washer	WSP038005SC0	M3
6	Base Frame B	WH031700000	
7	Round Countersunk Head Screw	SMC5000535CL	9/64*40*3.5
8	Reinforcing Pipe	HF030400000	
9	E-ring	BPE500000000	
10	Lid Frame Fittings	WH031300000	
11	Lid Frame A	WH031801000	
12	Lid Frame B	WH031600000	
13	Bolt Base Set	WH031401000	
14	Wing Nut	SSN403SD0000	M3
15	Spring Washer	WSS030000KD0	M3
16	Plain Washer	WSP038005SD0	M3
17	Clamp Base	HF030700000	
18	Pinch Lock	BPC112900000	
19	Countersunk Head Screw	SS1103060MZ0	M3*6
20	Hexagon Nut	SSN003SD0000	M3
21			
22			
23			
24			
25			
26			
27			
28			
29			
30			
31			
32			
33			
34			
35			
36			
37			
38			
39			
40			
41			
42			
43			
44			
45			
46			
47			
48			
49			
50			



SETTING FRAME 1

WH-10-1

Ref.No.	Description	Part No.	Remark
1	Gauge Frame Complete Set	HFU014020000	Wide Cap Frame
2	Gauge Ring B	WH0422000000	Wide Cap Frame
3	Hexagon Socket Head Flange Screw	BPM4X8L00000	
4	Setting Sub Base Set	HF0405S20000	
5	Gauge Frame Complete Set	HFU01402000S	Semi-Wide Cap Frame
6	Gauge Ring B	WH0423000000	Semi-Wide Cap Frame
7	Wire Tension Gauge Set	HFU015000000	
7	Wire Tension Gauge Set	HFU015000460	460P M/C
8	Tension Block A	WH0403000000	
9	Tension Block B	WH0404000000	
10	Wing Bolt	BPBOLTM06X10	
11	Tension Shaft	WH0405000000	
11	Tension Shaft	WH0407000000	460P M/C
12	Tension Nut	WH0406000000	
13	8mm Dia. Collar	EF0418000000	
14	E-ring	BPE500000000	
15			
16			
17			
18			
19			
20			
21			
22			
23			
24			
25			
26			
27			
28			
29			
30			
31			
32			
33			
34			
35			
36			
37			
38			
39			
40			
41			
42			
43			
44			
45			
46			
47			
48			



SETTING FRAME 2

WH-10-2

Ref.No.	Description	Part No.	Remark
1	Setting Frame Base Set	UN34050B0000	
2	Setting Frame Base A	WH0412000000	
3	Hexagon Socket Head Cap Screw	SS6205120TN0	M5*12
4	Setting Frame Base B	HF0402040000	
5	Setting Frame Base C Set	WH0416S00000	
6	Setting Frame Base C	HF0403030000	
7	Wing Bolt	WH0415000000	
8	Table Patch Plate	WH0413000000	
9	Countersunk Head Screw	SS1103080SD0	M3*8
10	Patch Plate Rubber	WH0414000000	
11	Roller Bracket	WH0419000000	
12	Hexagon Socket Head Cap Screw	SS6204100TN0	M4*10
13	Spring Washer	WSS040000KC0	M4
14	Plain Washer	WSP04A008SC0	M4
15	Base Frame Presser Roller	WH0232000000	
16	Pan Head Screw	SS4103050SD0	M3*5
17	Plain Washer	WSP038005SD0	M3
18	Hexagon Nut	SSN003SD0000	M3
19	Hexagon Socket Head Cap Screw	SS6203030TN0	M3*3
20	Setting Frame Sash Liner	WH0418000000	
21	Countersunk Head Screw	SS1105150SD0	M5*15
22	Gauge Ring Lid	WH0420010000	
23	15mm Dia. Shaft	WH0417000000	
24	Washer	BPTW15300000	
25	15mm Dia. Collar	CE0110000000	
26	Hexagon Socket Head Set Screw	SS8206080TN0	M6*8
27	Hexagon Socket Head Cap Screw	SS6204150TN0	M4*15
28	Gauge Ring A	WH0421000000	
29	Countersunk Head Screw	SS1104150SD0	M4*15
30	Center Block	WH0203000000	
31	Round Countersunk Head Screw	SMC5000535CL	9/64*40*3.5
32	Presser Bar Spring	WH0212000000	
33	Truss Head Screw	SS0103040SD0	M3*4
34	Lever Bracket L	WH0205000000	
35	Countersunk Head Screw	SS1104080MZ0	M4*8
36	Hexagon Nut	SSN204SD0000	M4 Type 3
37	Releasing Lever L	WH0201000000	
38	Lock Pin	WH0207000000	
39	Hexagon Socket Head Button Screw	SS3204060SC0	M4*6
40	Lever Spring L	WH0224000000	
41	Lever Pin	WH0229000000	
42	Hexagon Nut	SSN004SD0000	M4
43	Lever Bracket R	WH0206000000	
44	Releasing Lever R	WH0202000000	
45	Lever Spring R	WH0225000000	
46			
47			
48			
49			
50			